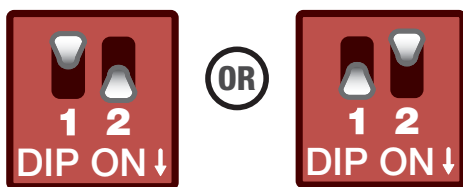


**BEFORE YOU BEGIN:**

1. Turn the ignition off.

**Installation**

*NOTE: The HONPDSDR, when used with the Honda Gold Wing, does not support Satellite Radio Emulation. Please use CD emulation according to the diagrams below.*

**CD Emulation****STEP****1**

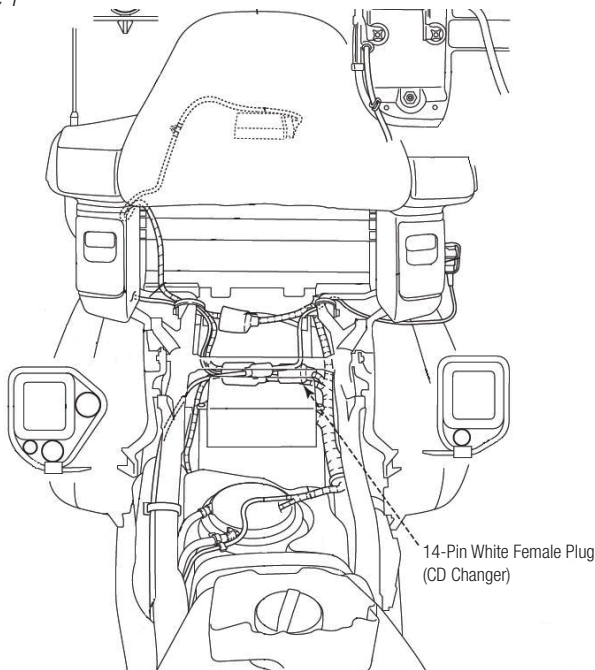
**Remove the seat.** The HONPDSDR connects directly to the factory CD changer plug under the seat. Using an Allen wrench, remove the 4 Allen bolts located on the side handles and lift the seat.

**STEP****2**

**Locate the CD changer connection.** See figure 1, page 10. Do **NOT** connect the HONPDSDR Harness yet. If your Gold Wing is equipped with a factory CD changer, disconnect the Gold Wing's CD

changer plug.

Figure 1



**STEP 3** **Complete installation (Please follow these directions or the HONPDSDR will not work).** Turn the ignition on. With the dipswitches on the HONPDSDR module set to CD mode, connect the HONPDSDR harness to the HONPDSDR module. Connect the 14-pin male plug of the HONPDSDR to the white 14-pin female plug of the Gold Wing.

Wait 5 seconds. Cycle the ignition (off/on) and press the **CD** button. The radio should recognize the HONPDSDR as the CD source. If this does not happen, repeat this sequence. Leave the factory 14-pin plug disconnected.

**STEP 4** **Route iPod cable and mount all components.** Route the iPod cable and mount the HONPDSDR (mounting hardware not included). Be careful not to drill into wiring or vehicle mechanisms. You are solely responsible for securely fastening the HONPDSDR in your vehicle. Make certain that wires and cables cannot be damaged by screws, clips or sharp, exposed pieces of metal.

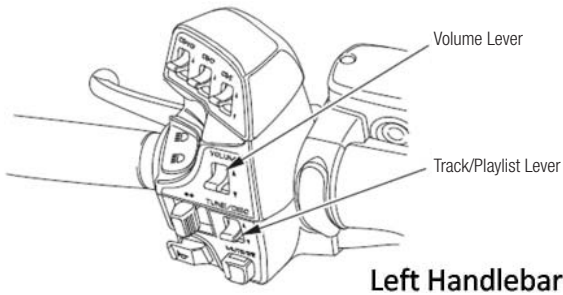
Ensure that the HONPDSDR plug and iPod cable are in convenient locations for connection.

Reassemble the motorcycle.

## CD Emulation Mode: Control Functions

### SDR MODE/RI MODE

RADIO BUTTON	iPod FUNCTION
SW ↑	Track ↑
SW ↓	Track ↓
Hold SW/Preset 4 ↑	Playlist ↑
Hold SW/Preset 3 ↓	Playlist ↓
Preset 1	Random All
Preset 2	Repeat All
Preset 6	Toggle SDR/RI Mode



Left Handlebar

